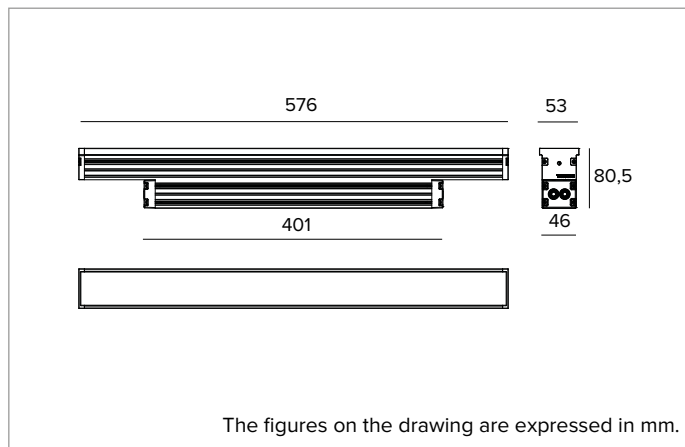


# 1E3826DA | JEDI COMPACT Outdoor Projector

## Adjustable linear LED projector



	4000K	H(m)	D(m)	Emax(lx)		
	Ra80		11°			
Fixture Power	26W	1	0.20	42182		
Source Flux	3312lm	2	0.40	10545		
Fixture Flux	2744lm	3	0.59	4687		
Efficacy	106lm/W	4	0.79	2636		
TS1340	Imax=12736cd/klm	Imax	42182cd	5	0.99	1687



### SOURCE

High Power High Efficiency Ra80 linear LED board. Ra90 on request.

**Energy efficiency class:** E

**Nominal power:** 23W

**Nominal flux:** 3312lm

**Colour rendering index:** 80

**Rf:** 85.2

**Rg:** 94.7

**CCT nominal:** 4000K

**SDCM:** 3

**Lifetime (L80/B10):** >50000h tq +25°C

### ILLUMINOTECHNICAL CHARACTERISTICS

Acrylic lenses with an integrated holographic filter.

**Optic:** LENS

**Beam angles:** SP

**Optical efficiency:** 83%

**Fixture flux:** 2744lm

**Luminous efficacy:** 106lm/W

**Photobiological safety:** Compliant with RG1 low risk group

### MECHANICAL CHARACTERISTICS

Extruded anodised aluminium 15µ body. Extra clear 5mm thick glass flat screen. The body of the fixture is adjustable and can be installed away from the mounting surface using accessory snap brackets.

**Colour and finish:** Aluminium

**Dimensions:** L=576mm

**Weight:** 2.6Kg

**Version:** INTEGRATED DRIVER

**Degree of protection:** IP66,IP67

**Mechanical Resistance:** IK08

### ELECTRICAL CHARACTERISTICS

Integrated driver version. Complete with a DALI power supply. Pre-cabled with a 1 metre 5x1mm<sup>2</sup> H07RN-F cable. Luminaire compliant with EN 60598-2-22 for power supply from a centralised emergency system CPSS (Central Power Supply System), not incorporated in the luminaire - high risk areas excluded. The default power and flux are 100% in AC and 100% in DC.

**Fixture Power:** 26W

**Power supply:** 220-240Vac 50/60Hz

**Insulation Class:** CLASS 1

**Type of driver / Control:** DALI

**Driver included:** YES

**Class F:** YES

**SAFE FLICKER:** PstLM=<1 and SVM=<0.4 (IEC TR 61547-1 and IEC TR 63158), to ensure a more comfortable and safe light

**Ambient temperature:** -25°C / +35°C

### INSTALLATION

To be completed with stainless steel adjustable brackets.

### NOTES

Casambi control system available using a dedicated accessory. Uses the "Waterblock Smart" technical solution that involves resin coating the connection cables, limiting the risk of humidity reaching the driver or the fixture. 110-277Vac version available on request. Commissioning of the control system via free APP; the intervention of a specialist technician can be quoted on request.

### WARRANTY

5 years.

### WARNING

Luminaire designed for disposal/recycling at end-of-life. Replaceable (LED only) light source by a professional. Replaceable control gear by a professional.

*Due to the technological evolution of the electronic components, the data provided may be updated, and as such, confirmation must be requested during the order process.*

*Luminous flux and power supply have +/-10% tolerances with respect to the indicated value. tq +25°C (CIE 121).*

*We reserve the right to make technical changes.*

Targetti Sankey S.r.l.  
Via Pratese, 164  
50145 Firenze - Italy  
Tel: +39 055 37911  
targetti.com  
targetti@targetti.com

CCIAA Firenze  
Share Capital:  
€ 500.000,00  
VAT N. (IT):  
01537660480  
R.E.A: FI-275656

**TARGETTI**

# 1E3826DA | JEDI COMPACT Outdoor Projector

## Adjustable linear LED projector

### Related codes

#### Bracket

Code
<b>1E3304</b>
Stainless steel short bracket kit for surface installation (2 pieces). Rotation +/-90°.

Code
<b>1E3306</b>
Stainless steel long bracket kit for surface installation (2 pieces). Rotation +/-90°.

### Accessories

#### Grid



L mm	H mm	P mm	Colour	Code
560	48	57	●	<b>1E3901</b>

Symmetric grid in stainless steel, powder-painted.  
External mounting respect to fixture.  
To be used with SPOT, FLOOD and GRAZING optics.



L mm	H mm	P mm	Colour	Code
560	48	57	●	<b>1E3905</b>

Asymmetric grid in stainless steel, powder-painted.  
External mounting respect to fixture.

#### Ray Shade



L mm	H mm	P mm	Colour	Code
570	48	59	●	<b>1E3909</b>

Hood in stainless steel, powder-painted.  
External mounting respect to fixture.



L mm	H mm	Colour	Code
576	54	●	<b>1E3913</b>

Adjustable hood in stainless steel, powder-painted.  
External mounting respect to fixture.

#### Tool



Code
<b>1E3305</b>

Tightening wrench for the connector kit.

#### Connector



Code
<b>1E2769</b>

Linear connection box IP66/IP68.  
5 poles max. wire section 1.5mm<sup>2</sup>.  
Cable diameter range from 7 to 12mm.



Code
<b>1E3184</b>

IP68 4-way cable connector (5 pole).

*Due to the technological evolution of the electronic components, the data provided may be updated, and as such, confirmation must be requested during the order process.*  
*Luminous flux and power supply have +/-10% tolerances with respect to the indicated value. tq +25°C (CIE 121).*

We reserve the right to make technical changes.

Targetti Sankey S.r.l.  
Via Pratese, 164  
50145 Firenze - Italy  
Tel: +39 055 37911  
targetti.com  
targetti@targetti.com

CCIAA Firenze  
Share Capital:  
€ 500.000,00  
VAT N. (IT):  
01537660480  
R.E.A.: FI-275656



## 1E3826DA | JEDI COMPACT Outdoor Projector

### Adjustable linear LED projector

#### Control systems



Code

**1E3048**

IP67 wireless control unit with DALI interface.

It generates a local DALI2 bus, enabling a direct connection to a DALI interface LED driver.

The module can only be used in a closed system and cannot be connected to an existing DALI network.

The module is wireless controlled using a Casambi app for smartphones and tablets using Bluetooth 5.0 technology.

The devices automatically create an adaptive, robust, and reliable wireless mesh network, allowing for the easy and efficient management of a high number of fixtures.

The control unit is preset to the DALI 1CH profile, meaning the device can control a single DALI driver with broadcast commands.

In addition to the DALI broadcast, other operating modes are available, such as:

- Button (normally open)
- Control unit 0/1-10V
- Control unit DALI Tunable White DT8
- Presence sensor



Code

**1E4369**

IP67 Extender for wireless control of LED driver with dimming DALI interface based on Casambi technology.

It has a DALI2 output with the capacity to control up to 40 lighting fixtures.

With the addition of a further external BUS DALI power supply it is possible to control up to 64 fixtures.

IP67 Extender is preset to the DALI broadcast profile, meaning all the luminaires connected to it are dimmable at the same level.

In addition to the DALI broadcast other operating modes are available, such as:

- EXTENDER DALI 8CH
- EXTENDER DALI Tunable White
- EXTENDER DALI 4CH
- EXTENDER DALI DT8 Tunable White

#### Surge protector



Code

**A013A**

Surge protector compatible with CLASS I lighting fixtures.

Operating voltage 230-277Vac.

SPD type 2+3.

Max surge protection 10kV.

CLASS I

IP67



Code

**A013C**

Surge protector compatible with CLASS I lighting fixtures.

DALI, DMX, 0-10V datalines compliance.

Operating voltage 230Vac.

SPD type 2+3.

Max surge protection 10kV.

CLASS I

IP20

*Due to the technological evolution of the electronic components, the data provided may be updated, and as such, confirmation must be requested during the order process.*

*Luminous flux and power supply have +/-10% tolerances with respect to the indicated value. tq +25°C (CIE 121).*

*We reserve the right to make technical changes.*

Targetti Sankey S.r.l.  
Via Pratese, 164  
50145 Firenze - Italy  
Tel: +39 055 37911  
targetti.com  
targetti@targetti.com

CCIAA Firenze  
Share Capital:  
€ 500.000,00  
VAT N. (IT):  
01537660480  
R.E.A: FI-275656

**TARGETTI**